

**ORDERING CODES**

HD 408 T - 1 G

**Output:**  
 1 = 0...5Vdc  
 2 = 1...5Vdc  
 3 = 0...10Vdc  
 not indicated = 4...20mA

**D** = Differential pressure -f.s ... +f.s with regard to the atmosphere  
**G** = Relative pressure 0... +f.s with regard to the atmosphere

**B** = bar  
**MB** = mbar

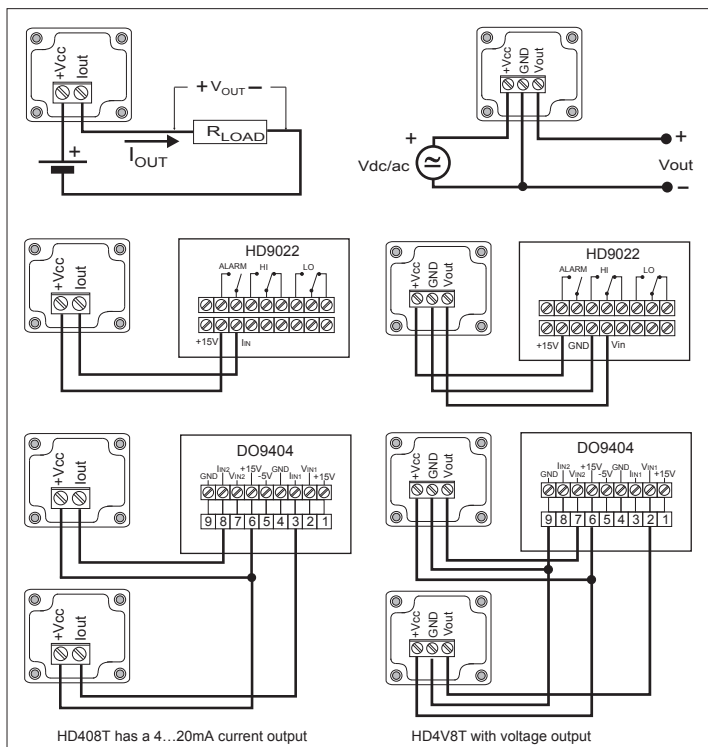
**Nominal full scale**  
 10 - 20 - 50 - 100 - 200 - 500 mbar (MB)  
 1 - 2bar (B)

**Output Type:**   **0** = Current  
                       **V** = Voltage

	RANGE	OUTPUT 4...20mA	OUTPUT 0...10Vdc	OUTPUT 0...5Vdc	OUTPUT 1...5Vdc
<b>RELATIVE</b>	0...10mbar	HD408T-10MBG	HD4V8T-10MBG3	HD4V8T-10MBG1	HD4V8T-10MBG2
	0...20mbar	HD408T-20MBG	HD4V8T-20MBG3	HD4V8T-20MBG1	HD4V8T-20MBG2
	0...50mbar	HD408T-50MBG	HD4V8T-50MBG3	HD4V8T-50MBG1	HD4V8T-50MBG2
	0...100mbar	HD408T-100MBG	HD4V8T-100MBG3	HD4V8T-100MBG1	HD4V8T-100MBG2
	0...200mbar	HD408T-200MBG	HD4V8T-200MBG3	HD4V8T-200MBG1	HD4V8T-200MBG2
	0...500mbar	HD408T-500MBG	HD4V8T-500MBG3	HD4V8T-500MBG1	HD4V8T-500MBG2
	0...1000mbar	HD408T-1BG	HD4V8T-1BG3	HD4V8T-1BG1	HD4V8T-1BG2
	0...2000mbar	HD408T-2BG	HD4V8T-2BG3	HD4V8T-2BG1	HD4V8T-2BG2

<b>DIFFERENTIAL</b>	-10...10mbar	HD408T-10MBD	HD4V8T-10MBD3	HD4V8T-10MBD1	HD4V8T-10MBD2
	-20...20mbar	HD408T-20MBD	HD4V8T-20MBD3	HD4V8T-20MBD1	HD4V8T-20MBD2
	-50...50mbar	HD408T-50MBD	HD4V8T-50MBD3	HD4V8T-50MBD1	HD4V8T-50MBD2
	-100...100mbar	HD408T-100MBD	HD4V8T-100MBD3	HD4V8T-100MBD1	HD4V8T-100MBD2
	-200...200mbar	HD408T-200MBD	HD4V8T-200MBD3	HD4V8T-200MBD1	HD4V8T-200MBD2
	-500...500mbar	HD408T-500MBD	HD4V8T-500MBD3	HD4V8T-500MBD1	HD4V8T-500MBD2
	-1000...1000mbar	HD408T-1BD	HD4V8T-1BD3	HD4V8T-1BD1	HD4V8T-1BD2
	-2000...2000mbar	HD408T-2BD	HD4V8T-2BD3	HD4V8T-2BD1	HD4V8T-2BD2

**Examples of connections with the HD9022 and DO9404 indicators/regulators**



**HD 4V8T Baro**



**HD 4V8T Baro BAROMETRIC TRANSMITTER**

Barometric transmitter to wall mount for indoor use, with 0...1 Vdc analog output. Measuring range 600...1100mbar. Power supply 10...40 Vdc. Working temperature -30°C... 60°C. Suitable for installation in the housings for weather stations HD32.35, HD32.35FP, HD32.36 and HD32.36FP.

**Technical specifications**

Type of sensor	Piezoresistive
Measuring range	600±1100 mbar
Analog output	0÷1Vdc
Accuracy	±0.5 mbar, @ 20°C
Resolution	Infinite
Temperature drift	<1% F.S., zero; <1% F.S., span from -20°C to +60°C (-4°F to 140°F)
Long term stability	<0.25% F.S. at 6 months at 20°C
Settling Time	1 sec. At 99% of the measure
Response time	<200ms after pressure stabilization
Power Supply	10÷40 Vdc
Current Supply	< 4 mA
Working temperature	-30 ... +60°C
Compatibility	Dry air and gases, non-corrosive
Overpressure	2 bar – 30 psi
Dimensions	65mm x 58mm x 35mm

